

### Pg-S690 Series Diesel Generator Set

**Standby**  
690 kVA  
552 kW

**Prime**  
621 kVA  
497 kW



### Engine

In Progen Generator engine products; High performance, low fuel consumption, mechanical or electronic governor depending on the type, Oil, air, fuel filters are interchangeable, using high technology engine brands in accordance with ISO 3046, ISO 8528, BS 5514, DIN 6271 standards.

#### ENGINE SPECIFICATIONS

Engine Brand	Shangai premium	
Engine Model	SC26H612	
Engine Power	552 kW	
Speed (rpm)	1500 d/dk	
Time	12 V	
Number of Cylinders	12	
Engine Capacity	26 lt	
Bore & Stroke (mmXmm)	145x150	
Compression Ratio	17:01	
Governor Type	Mechanical / Electrical	
Induction System	Turbocharge + Intercooler	
Combustion System	Direct	
Cooling System	Water Cooling	
Lubrication Capacity	80 lt	
Coolant Capacity	90 lt	
Fuel Consumption liter/hour	%100	99 lt
	%75	74,8 lt
	%50	49,9 lt

### Alternator

In Progen Generator alternator products, it has a steel body design, robust structure, maintenance-free bearing system (brushless) with self-excitation system, electronic type voltage regulator, BS 4999-5000; CEI EN 60034-1; IEC 60034-1; VDE 0530, OVE M10, NF 51-100, 111; It uses high technology alternator brands in accordance with NEMA MG 1.22.

#### ALTERNATOR FEATURES

Power Factor	0,8
Insulation Class	H
Protection	IP21-IP23
Output Voltage	231/400 VAC - 50 Hz
Frequency	50 Hz
Connection Type	Star
Design	4 Poles - Brushless

# Shangai Series

## Control System

Easy-to-use secure software updates in Progen Generator control panels have a structure that can be easily done with USB ports. Optionally, remote control can be provided with ETHERNET and GPRS. Panel body is made of steel sheet and is painted with electrostatic powder paint. It has been painted. The electronics are isolated and waterproof design.

### CONTROL SYSTEM FEATURES

- LCD Screen Automatic Control System
- Remote monitoring possibility
- Multifunctional business opportunity
- Multi language support
- Programmable over USB, RS-232 and GSM

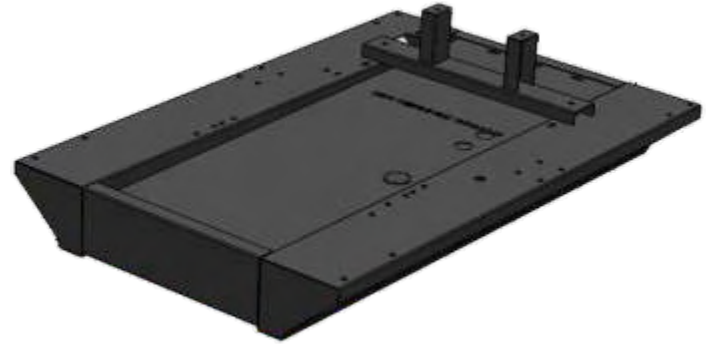


## Chassis, Canopy and Fuel Tank

Progen Generator chassis has a modular design and is made of steel. Engine alternator Radiator connections are made with vibration wedges and vibration is minimized. Special chassis and fuel tank in line with customer demands can make designs.

### CANOPY

- Canopy design that facilitates generator maintenance
- Emergency stop button on the cabin
- Transparent control cabinet window
- Acoustic sponge providing sound insulation
- Hidden exhaust silencer inside the cabin
- Engine cooling air ducts
- Electrostatic powder paint resistant to corrosion and rusting
- Refueling outside the cabin



### OPTIONS

Transfer Board

Protection Switch

External Type Fuel Tank

Synchronous System

Electronic Governor Application

Earthquake Sensor

Analog Gauges

24 Hour Fuel Tank

Special Chassis Color

Special Cabinet Color

Remote Monitoring Module

Special Type Mufler

## Quality Standards

- All generating sets produced by Progen Generator have TSE, CE and ISO 9001 certificates.
- Technical information and values are in accordance with ISO8528, ISO3046, 600341, standards.

## TECHNICAL DIMENSIONS

### CABINET GROUP

WIDTH	LENGTH	HEIGHT	WEIGHT	FUEL TANK
1800 mm	4500 mm	2400 mm	5117 kg	495 lt

### UNCABINET GROUP

WIDTH	LENGTH	HEIGHT	WEIGHT	FUEL TANK
1800 mm	3800 mm	2000 mm	4581 kg	495 lt

