

Pg-R125 Series Diesel Generator Set

Standby
125 kVA
100 kW

Prime
114 kVA
91kW



Engine

In Progen Generator engine products; High performance, low fuel consumption, mechanical or electronic governor depending on the type, Oil, air, fuel filters are interchangeable, using high technology engine brands in accordance with ISO 3046, ISO 8528, BS 5514, DIN 6271 standards.

ENGINE SPECIFICATIONS

| | | |
|--------------------------------|---------------------------|---------|
| Engine Brand | RICARDO | |
| Engine Model | R6105ZLD | |
| Engine Power | 100 kW | |
| Speed (rpm) | 1500 d/dk | |
| Time | 6 | |
| Number of Cylinders | 6 | |
| Engine Capacity | 6,49 lt | |
| Bore & Stroke (mmXmm) | 105x125 | |
| Compression Ratio | 0.667 | |
| Governor Type | Mechanical / Electrical | |
| Induction System | Turbocharge + Intercooler | |
| Combustion System | Direct | |
| Cooling System | Water Cooling | |
| Lubrication Capacity | 16 lt | |
| Coolant Capacity | 16 lt | |
| Fuel Consumption liter/hour | %100 | 18 lt |
| | %75 | 13,5 lt |
| | %50 | 9 lt |

Alternator

In Progen Generator alternator products, it has a steel body design, robust structure, maintenance-free bearing system (brushless) with self-excitation system, electronic type voltage regulator, BS 4999-5000; CEI EN 60034-1; IEC 60034-1; VDE 0530, OVE M10, NF 51-100, 111; It uses high technology alternator brands in accordance with NEMA MG 1.22.

ALTERNATOR FEATURES

| | |
|------------------|---------------------|
| Power Factor | 0,8 |
| Insulation Class | H |
| Protection | IP21-IP23 |
| Output Voltage | 231/400 VAC - 50 Hz |
| Frequency | 50 Hz |
| Connection Type | Star |
| Design | 4 Poles - Brushless |

RICARDO Series

Control System

Easy-to-use secure software updates in Progen Generator control panels have a structure that can be easily done with USB ports. Optionally, remote control can be provided with ETHERNET and GPRS. Panel body is made of steel sheet and is painted with electrostatic powder paint. It has been painted. The electronics are isolated and waterproof design.

CONTROL SYSTEM FEATURES

- LCD Screen Automatic Control System
- Remote monitoring possibility
- Multifunctional business opportunity
- Multi language support
- Programmable over USB, RS-232 and GSM

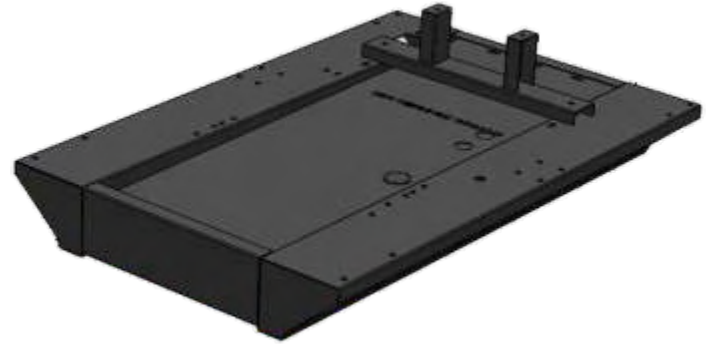


Chassis, Canopy and Fuel Tank

Progen Generator chassis has a modular design and is made of steel. Engine alternator Radiator connections are made with vibration wedges and vibration is minimized. Special chassis and fuel tank in line with customer demands can make designs.

CANOPY

- Canopy design that facilitates generator maintenance
- Emergency stop button on the cabin
- Transparent control cabinet window
- Acoustic sponge providing sound insulation
- Hidden exhaust silencer inside the cabin
- Engine cooling air ducts
- Electrostatic powder paint resistant to corrosion and rusting
- Refueling outside the cabin



OPTIONS

Transfer Board

Protection Switch

External Type Fuel Tank

Synchronous System

Electronic Governor Application

Earthquake Sensor

Analog Gauges

24 Hour Fuel Tank

Special Chassis Color

Special Cabinet Color

Remote Monitoring Module

Special Type Mufler

Quality Standards

- All generating sets produced by Progen Generator have TSE, CE and ISO 9001 certificates.
- Technical information and values are in accordance with ISO8528, ISO3046, 600341, standards.

TECHNICAL DIMENSIONS

CABINET GROUP

| WIDTH | LENGTH | HEIGHT | WEIGHT | FUEL TANK |
|---------|---------|---------|---------|-----------|
| 1100 mm | 3000 mm | 1850 mm | 1544 kg | 240 lt |

UNCABINET GROUP

| WIDTH | LENGTH | HEIGHT | WEIGHT | FUEL TANK |
|---------|---------|---------|---------|-----------|
| 1100 mm | 2600 mm | 1600 mm | 1286 kg | 240 lt |

